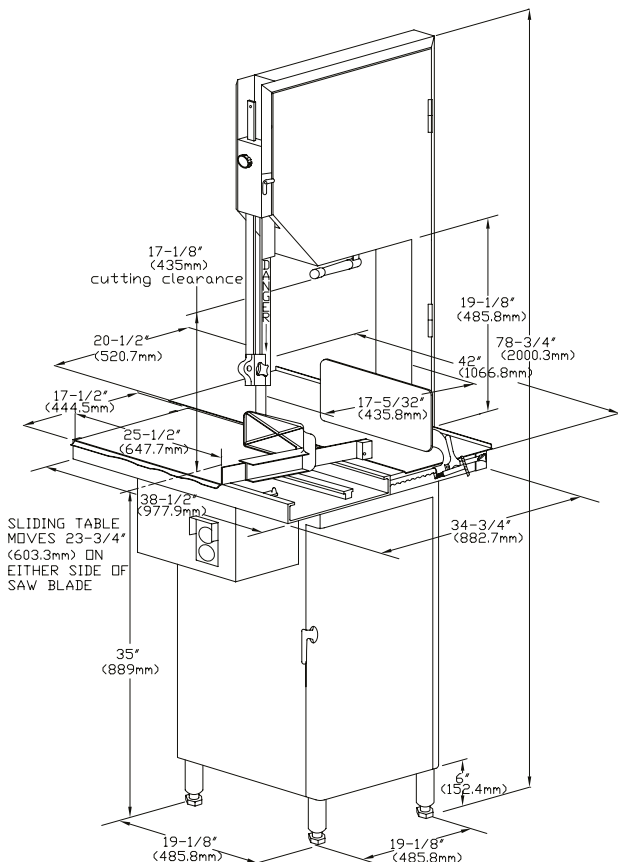




PROVIDING THE HIGHEST QUALITY & MOST RELIABLE FOOD MACHINERY IN THE UK.

BIRO MODEL 44SSFH - LP SERIES FISH PROCESSING

Biro machines the fully stainless-steel construction means it can withstand the harshest conditions and the machine can be built in different configurations depending on the needs of the customer.



MACHINE SPECIFICATION:

- Power - 5HP 3 Phase
- Blade Length - 135"
- Blade Speed - Don't know so delete
- Blade Wheel Diameter - 18"
- Max Cutting Height - 354mm
- Max Cutting Width - 882mm
- Motor - As above
- Construction - Stainless Steel
- Weight - 272kg
- External Dimensions - (WxDxH)
882.7 x 1016 x 1911.4mm