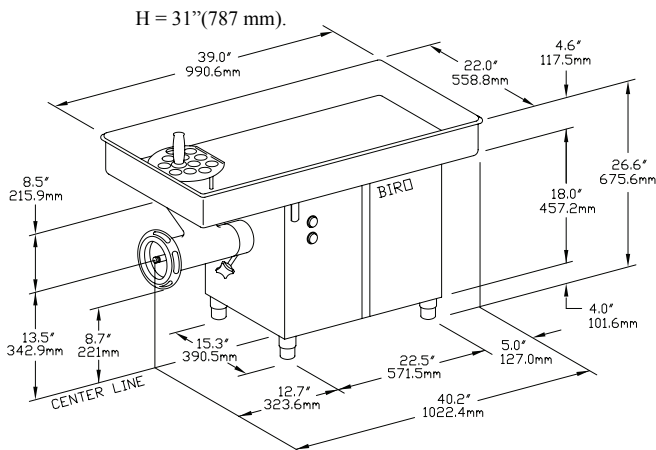


6642 MEAT GRINDER

Part of the world renowned Biro mincer range and one of two Biro mincers with a 32 head. Available in 3 phase power it has an extremely well built double reduction gearbox and a typically robust Baldor motor hence very few problems even on machines over 30 years old.

Available as a tabletop or free standing.



MACHINE SPECIFICATION:

- Versatile manual feed grinder
- 3 Phase Power
- 2HP Motor
- Double Retention Steel Gears
- Feed Pan Capacity - 34kg
- Grinding Capacity - 18.6kg per minute with 9.5mm plate
- Safety - Magnetic Interlock so Machine will NOT Operate when the Feed Pan with Welded Bowl Guard is removed.
- External Dimensions (WxDxH)
558.5x990.6x675.6mm