

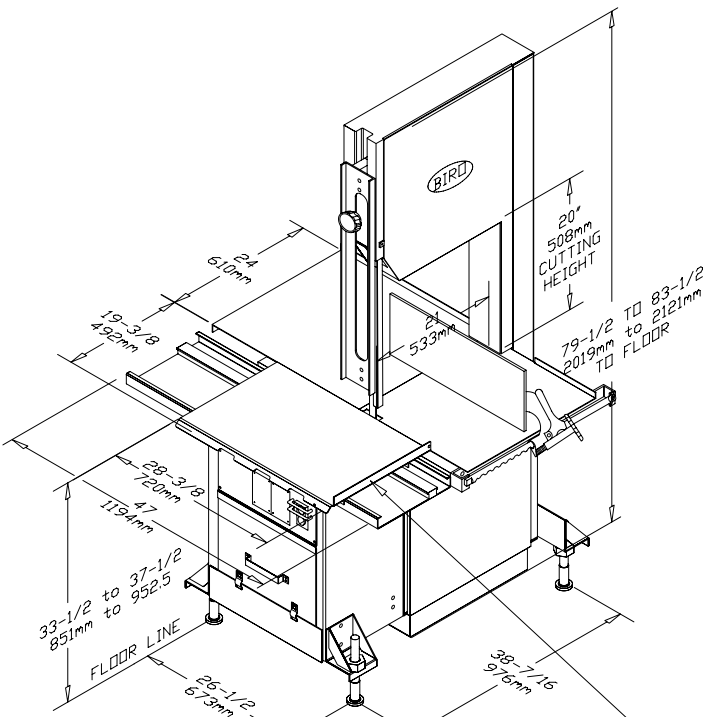


PROVIDING THE HIGHEST QUALITY & MOST RELIABLE FOOD MACHINERY IN THE UK.

55 POWER CUTTER

The biggest bandsaw in the range with a fixed head and a 5HP motor. The cutting height of 533mm is perfect for cutting quarters, loins and even retail cuts all day every day and is built with the typical robustness expected of a Biro machine.

The 55s are built to order with a range of options available so speak to us if you have special requirements.



CARRIAGE SLIDES 23"(584mm) BEFORE CUT & 23"(584mm) AFTER CUT, TOTAL TRAVEL OF 46"(1168mm)

MACHINE SPECIFICATION:

- Power - 5HP 3PH
- Blade Length - 164.5" (4178mm)
- Blade Speed - 1180 m/min
- Blade Wheel Diameter - 22"
- Max Cutting Height - 508mm
- Max Cutting Thickness - 533mm
- Motor - 5HP
- Construction - Heavy Duty Stainless Steel
- Weight - 340kg
- External Dimensions - (WxDxH)
1102mm x 1194mm x 2121mm