

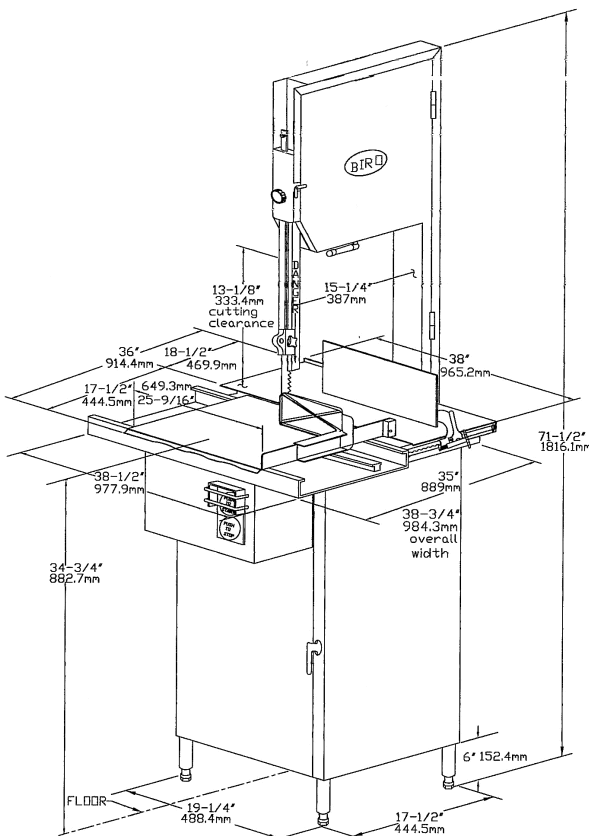


PROVIDING THE HIGHEST QUALITY & MOST RELIABLE FOOD MACHINERY IN THE UK.

3336 MEAT SAW

The **Biro 3336** is our best selling machine and probably the finest bandsaw on the market. It easily withstands the hours of heavy use in busy factories or the constant stop start nature of busy retailers. This machine is proven to cut the hardest bone hence its popularity in the markets that cut cow's foot.

The construction is heavy duty stainless steel and available with a ratchet system or fixed head.



MACHINE SPECIFICATION:

- Power - 3 HP 3 Phase motor
- Blade Length - 124"/3150mm
- Blade Wheel Diameter - 16"
- Max Cutting Height - 333mm
- Max Cutting Width - 900mm
- Construction - Heavy Duty Stainless Steel
- -Weight - 250kg
- External Dimensions - (WxDxH)
914 x 965 x 1816mm