

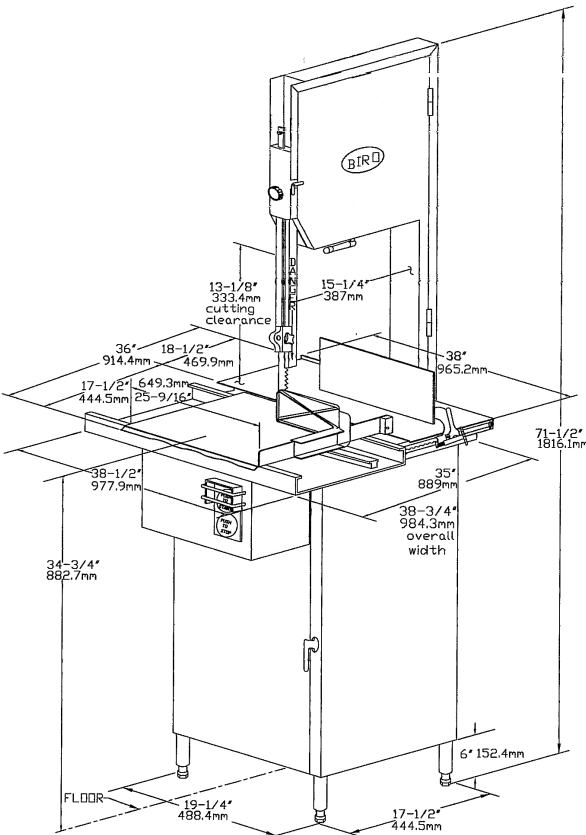


PROVIDING THE HIGHEST QUALITY & MOST RELIABLE FOOD MACHINERY IN THE UK.

22 MEAT SAW

Confounding the notion that bigger is better the 22 is capable of cutting anything a 3336 can do just without the cutting height. It's extremely popular in retail fish and butchers shops across the country as its compact nature means it can fit perfectly behind the counter.

This machine is available in single and three phase so is available to everyone.



MACHINE SPECIFICATION:

- Power - 1.5HP Single or Three Phase
- Blade Length - 91" (2311mm)
- Blade Speed - 914m/min
- Blade Wheel Diameter - 30.4cm (12")
- Max Cutting Height - 317mm
- Max Cutting Width - 736mm
- Motor - 1.5HP
- Construction - Heavy Duty Stainless Steel
- Weight - 140kg
- External Dimensions - (WxDxH)
736mm x 520mm x 1559mm